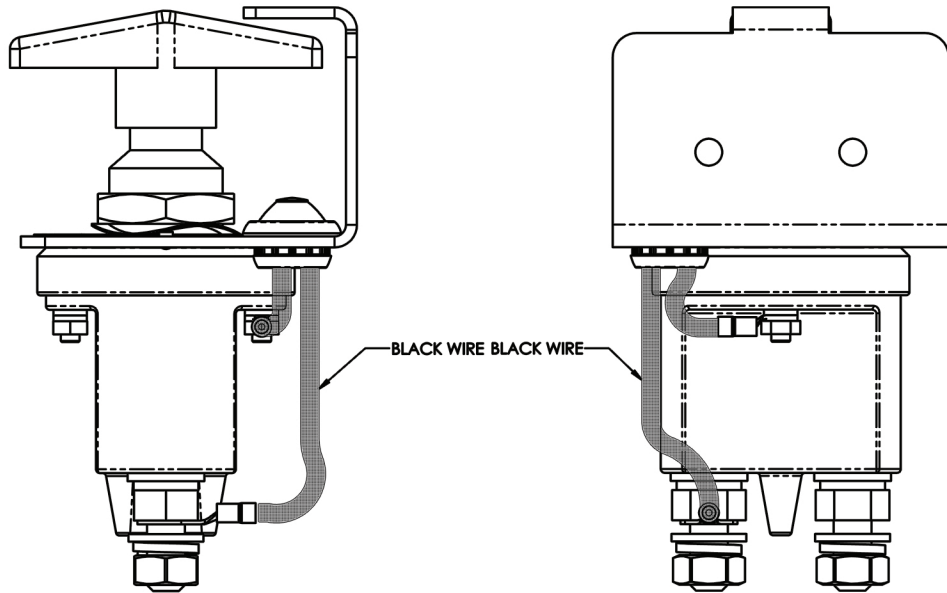




*The Big Switch
Lock-Out Assembly with LED
Part no. FR1005LED &
FR1008LED (Bracket w/Light Only)
Led Wiring Instructions*

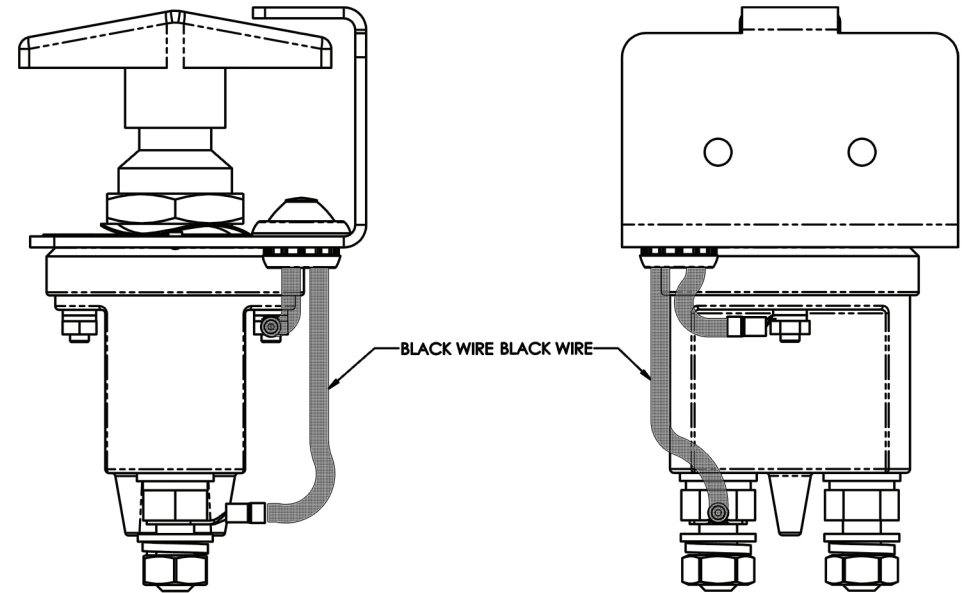


- *Black Wire with Large Terminal connects to load side of switch*
- *White Wire with Small Terminal connects to ground*
 - ☒ *Terminal is designed to be attached to the case nut/bolt on The Big Switch, provided that the bracket is grounded to the chassis*
 - ☒ *If the bracket is not grounded, any convenient chassis ground is acceptable.*

*Flaming River Industries, Inc
800 Poertner Dr. Berea, Ohio 44017
1-800-648-8022 • 440-826-4488 • www.flamingriver.com*



*The Big Switch
Lock-Out Assembly with LED
Part no. FR1005LED &
FR1008LED (Bracket w/Light Only)
Led Wiring Instructions*



- *Black Wire with Large Terminal connects to load side of switch*
- *White Wire with Small Terminal connects to ground*
 - ☒ *Terminal is designed to be attached to the case nut/bolt on The Big Switch, provided that the bracket is grounded to the chassis*
 - ☒ *If the bracket is not grounded, any convenient chassis ground is acceptable.*

*Flaming River Industries, Inc
800 Poertner Dr. Berea, Ohio 44017
1-800-648-8022 • 440-826-4488 • www.flamingriver.com*